

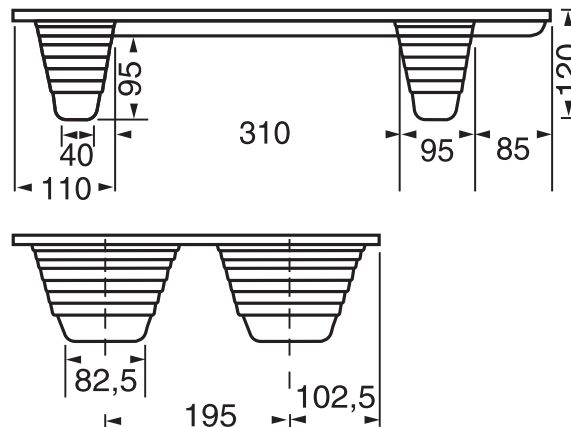
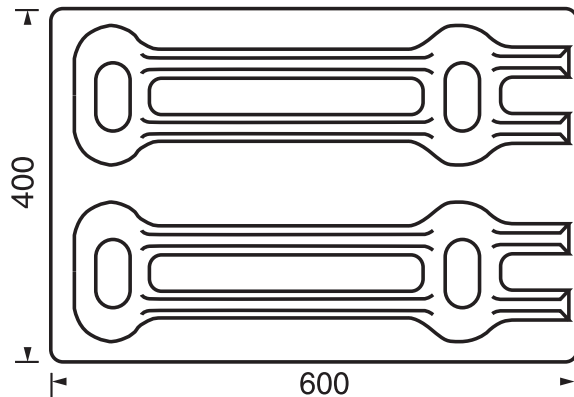
## Inka palet type F 44 1/4-euro format – 400 x 600 mm

### data sheet:

<b>type</b>	<b>F 44</b>
<b>material</b>	<b>presswood</b>
<b>max. load capacity*</b>	
<b>dynamic</b>	<b>250 kg</b>
<b>static</b>	<b>approx. 750 kg</b>
<b>net weight</b>	<b>approx. 3 kg</b>
<b>packing unit</b>	<b>220 pcs./Euro space</b>
<b>height</b>	<b>approx. 2.10 m</b>



✓ 1/4 Euro size – for small loads or POS-displays, compliant to the Euro-Standard.



\* This pertains to an index of refraction within the framework of a quality test in a laboratory, which was calculated upon a theoretical surface load. We recommend using test pallets for all cases, with which we will be glad to provide you. Please refer to our User's Tips.